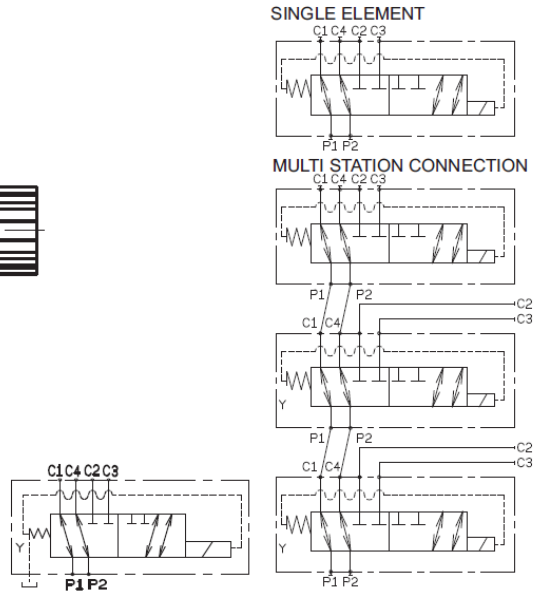
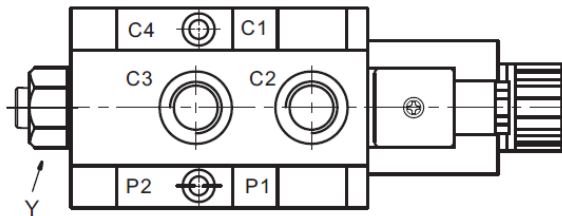


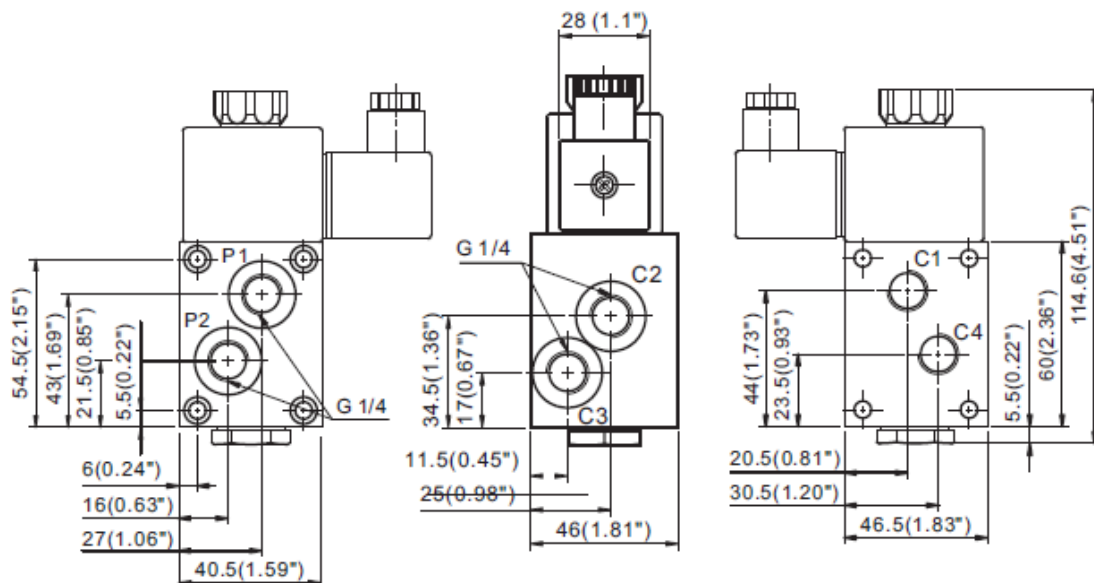
## HVE\_-6/2F-\_\_V



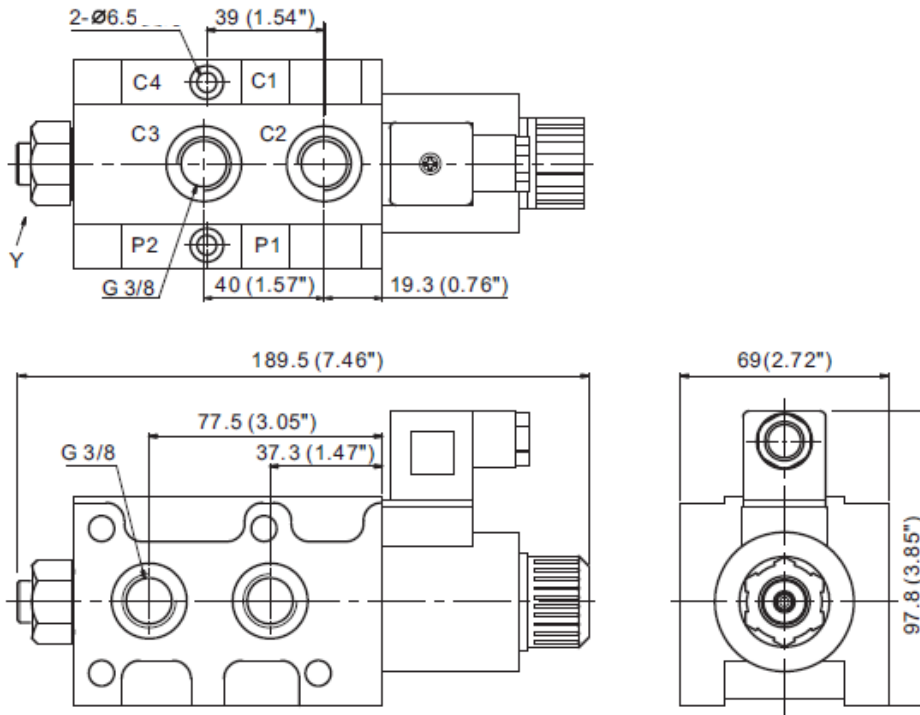
### ➤ TECHNISCHE DATEN

Model Number	Maximaler Druck-bar	Max. Durchfluss -lpm	Gewicht
HVE4-6/2F-12V oder 24V	250	20	1,20 Kg
HVE6-6/2F-12V oder 24V	250	50	3,32 Kg
HVE10-6/2F-12V oder 24V	250	80	4,10 Kg
Fluid Type	ISO VG 32, 46, 68		
Viscosity	10~400 ( 59~1854 SSU)		
Operating Temperature	-15~70 ( -5~158 °F)		
Contamination Level	B10 75, Under NAS Class 12, 25μ		

### HVE4-6/2F-12 V oder HVE4-6/2F- 24 V



## HVE6-6/2F-12 V oder HVE6-6/2F-24 V



## HVE10-6/2F-12 V oder HVE10-6/2F-24 V

